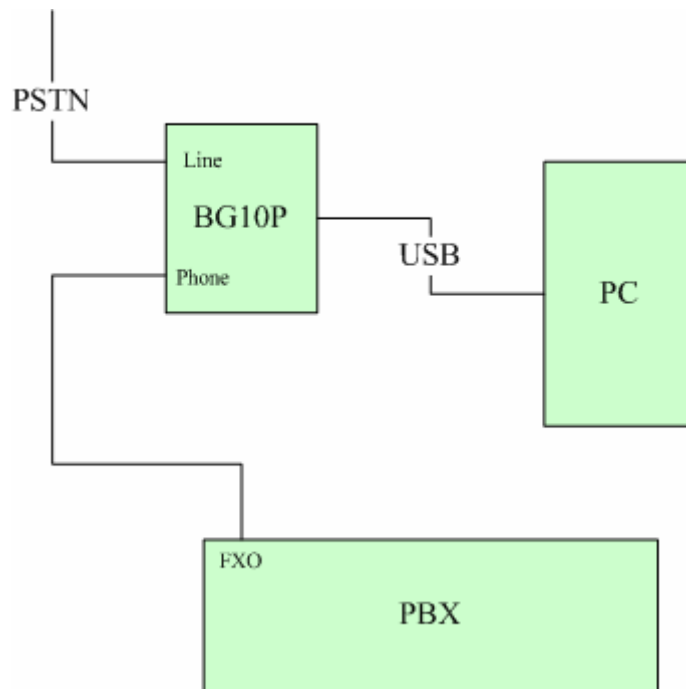


How to connecting BG10P to office PBX

By connecting BG10P to PBX you can update your office PBX to a new PBX integrating both PSTN and Skype call.

The connection is as following



When a PSTN call is coming, BG10P informs the Phone Line to ring. The PBX detects FXO ring and starts automatic answer.

When a Skype call is coming on the PC, BG10P also informs Phone Line to ring. The PBX detects and starts automatic answer. ITA transfers Skype DTMF message to DTMF tones and sends them to PBX. When the Skype call is over ITA informs PBX to send hang up tone.

By using BG10P it is more flexible to set up medium scale enterprise VoIP network.