

GW918E GSM FWT

(FIXED WIRELESS TERMINAL)

USER'S MANUAL

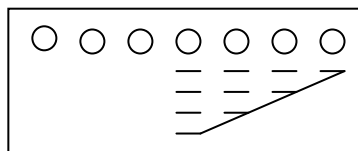


1. DESCRIPTION

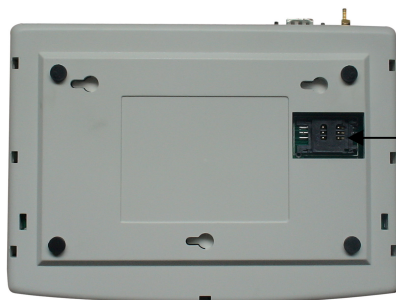
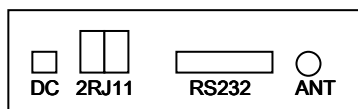
GW918E – GSM-GW is a Fixed Wireless Terminal designed to provide better wireless connectivity between POTS (plain old telephone set) and existing GSM 900/1800Mhz network with high sensitivity to receive signal and large transmitting power to expand extensively the effective coverage of GSM service. It can be used not only in communication for vehicles such as automobiles, trains, floating vehicles, etc., but also in communication for construction sites, isolated islands and rural areas where hardwire-line telephone service is unavailable. So they are widely used in home & office, public phone, rural areas, steamer, railway etc.

Front View

USE



LED Indicator

Back ViewBottom View

SIM CARD

2. LEDs DISPLAY INSTRUCTIONS

No.1-4 (From Right to Left), Signal strength indication.

No.5, Working status Indication: In Use or not use.

No.6, Power On/off indication.

No.7, Function indication (green light)

* When the system startup, the green light will light on about 30seconds then off, it enter work status.

*When the ring back, the green light will flash until you pick up.

*when in communication, the green light will be always on.(reversal polarity)

*when not check SIM card, then the green light will be always flash, you should check the SIM card Installation.

*when the system hang(Dead), the green light will be always on, you should re-power on.

3. MAIN FUNCTION & FEATURES

- Simple to install and easy to maintain
- Steady module & reliable design ensures good performance
- Provide optimized circuit directly connecting the exchange device for extensions
- Compatible to most telephones, PBX & VoIP gateways
- Strong signals with high gain antenna
- Attractive Plastic casing
- SIM card support (3V, 5V)
- Caller ID Display
- Provide reversal polarity signal for metering
- No noise & Clear voice
- Suitable for wide voltage range & Low power consumption
- Suitable for all kinds of weather & environment
- RJ-11 ports (two extensions line /phone and line (optional))
- Locking PIN/ Network (optional)
- Support PSTN to GSM, GSM to PSTN.

4. SPECIFICATION

1. Air Interface Standard: GSM 900/1800 MHz Phase 2+

2. Frequency Ranges:

	Transmission	Reception
GSM 900	890~915MHz	935~960MHz
GSM 1800	1710~1785MHz	1805~1880MHz

3. Channel Space: 200KHz

4. User line, bell signal : In line with GB/T15279

5. Max Power: 0.25W/0.5W

6. Consume : Immobility \leq 25MA, Transmission \leq 400MA

7. Sensitivity : -105db

8. Dialtone frequency: 450Mhz (Standard)

9. Surrounding Temperature : -10°C ~ +40°C Relative humidity: 45% ~ 90% (Without frost)

10. Atmosphere Pressure : 86 ~ 106Pka

11. Environment Noise : <60db

12. Antenna Amplifying: 3.5db(omni directional), 12db(certain direction /chosen direction)

13. AC Power : DC10V—20V

Input: (AC100-230V, 50/60Hz) Output: (12V 1A)

Switching type /Transformer type

Ac-adapter(optional)

14. Connector of Power : China

15. Dimensions(L×W×H) Average : 185×135×22 (mm)

16. Weight : FWT 400g, full set with ac-adapter & antenna & box 850g

17. Color: White / blue(Optional)

18. Connection Mode : RJ-11 phone sockets

19. Antenna Connection: SMA Antenna Connection.

5. APPLICATION

- For public use as payphones ;
- For Office & Home use ;
- For rural and mountainous area ;
- For mobile carriage, like ship, automobile and train etc. ;
- For those where hardwire-line telephone service is unavailable.

6. INSTALLATION AND CONNECTION MODE

1. Antenna

Connect the head of GSM antenna to the head of antenna of the back of the Fixed Wireless Terminal.

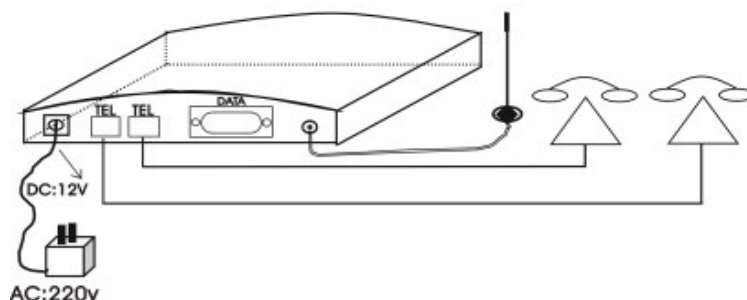
2. SIM Card

2.1 Open the bottom cover of fixed wireless terminal ;

2.2 Plug SIM Card into the SIM card holder of PCB board, then fix the cover ;

3. Connection to Telephone

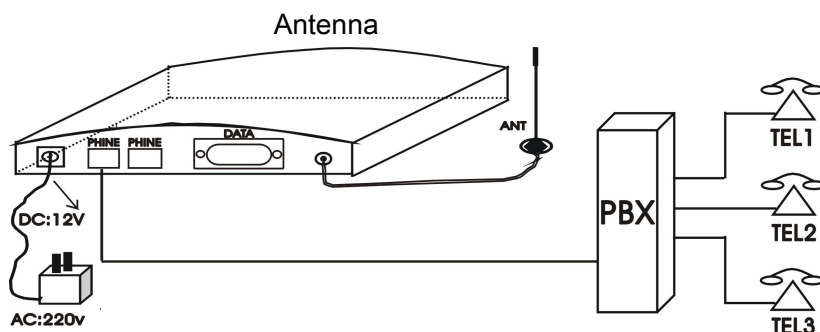
3.1 Draft for the connection of terminal to telephone set :



Ac-adapter

With one of Wire (the telephone line with crystal head) to telephone , and another side to TEL1 □ or TEL2 □ on the back of the terminal,

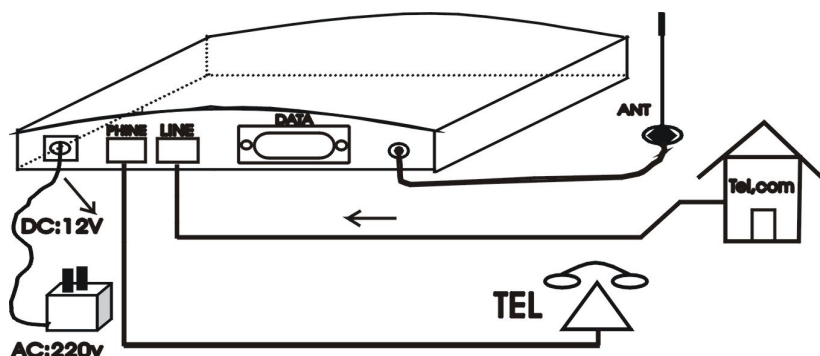
4. Connection to PBX



AC adapter

With one end of the wire (the telephone line with crystal head) to the socket of PBX equipment, while another end to the TEL1 □ or TEL2 □ on the back of the wireless terminal.

5. Connection to Fixed line (PSTN)(Optional)



With the PHONE Port to connect TEL with wire, And LINE Port to connect Fixed line of Tel.com with wire.

The default is dialing out from GSM, if you want to make call from PSTN, please press “#” before you input the number.

And you can receive calls from call to PSTN and GSM number both.

7. FUNCTION SETTING

1. The right to call local No.

“**”——“6 digit password”——“1”——“# or*”——hang up

(#=prohibit to call *= permit to call)

2. The right to call DDD

“**”——“6 digit password”——“2”——“# or*”——hang up

(#=prohibit to call *= permit to call)

3. The right to call IDD

“**”——“6 digit password ”——“3”——“# or*”——hang up

(#=prohibit to call *= permit to call)

4. Install to call in

“**”——“6 digit password”——“4”——“# or *”——hang up

(#=prohibit to call in *=permit to call in)

5. Install to call IP

“**”——“6 digit password”——“5”——“# or *”——hang up

(#=prohibit to call IP *=permit to call IP)

6. Modify 5 Digit Access to IP

“**”——“6 digit password”——“6”——“5 digital access to IP” (If not enough No. please use ‘#’instead. Eg. : Install IP193 put 193##) ——hang up

(5 digital access to IP should be 5 No.s , The access No. to IP should be caller’s IP No. , eg 17909、17951、17911、17921、193##、17931 etc.)

7. Modify 6 digit password

“**”——“Original 6 digit password”——“7”——“New 6 digital pass word”——hang up

8. Install to have “zero” or not for the mobile phone of ex-cities

“**”——“6 digital ”——“8”——“# or *”——hand up

(#=use “zero” *=Not use “zero”)

9. Reversal polarity

“**”——“6 digit password”——“9”——“# or *”——hang up

(#=prohibit to reversal polarity , *=permit to reversal polarity)

10. Install to use local IP

“**”——“6 digit password”——“0”——“# or *”——hand up

(#=prohibit to call local IP *=permit to call local IP)

11. Initialize System :

“**”——“6 digit password”——“#”

(the initial password:000000 or 123456, the default status for local call permit, DDD call permit, IDD call permit, reversal-polarity permit; local IP, Long distance IP, local IP, long distance IP, Prohibit,)

8. NOTES:

1. In order to reduce the affect of other electronics products to wireless terminal, please keep the distance at least 1 meter between them.
2. The frequency of Wireless terminal may affect some electronics equipments, so don't use the wireless terminal in the area where the wireless equipments are prohibited to use.

3. Don't pull out or plug in SIM card frequently if not necessary, if the spring of SIM card holder is not properly touched, please curve warp the spring so that it can be touched properly , and work properly

Don't switch frequently the power of wireless terminal, the interval between the two switches should be over 10 seconds and more, otherwise there may be some damage to it.